

POK

Flowmeter 2012

Reference : 29342, 39383, 29390, 29396, 30287



- Presentation
- Option
- Overall dimensions
- Exploded view
- Bill of materials
- Stickers
- Warning
- User manual
- Maintenance

Please read this manual before using the equipment



Characteristics	Details
Construction	<ul style="list-style-type: none"> • Body in aluminium alloy • Case in grivory with fibreglass
Maximum pressure of use	16 bar / 230 PSI
Working temperature	-10°C to 70°C (14°F to 158°F)
Waterproofness	IP65
Working flow rates limits	<ul style="list-style-type: none"> • DN 40 (1.5") : 100 l/min to 1000 l/min (26GPM to 260 GPM) • DN 65 (2.5") : 300 l/min to 2500 l/min (80 GPM to 660 GPM) • DN 80 (3") : 500 l/min to 3000 l/min (130 GPM to 800 GPM) • DN 100 (4") : 1000 l/min to 5000 l/min (260GPM to 1350 GPM)
Accuracy	About 3% (if use within the working flow rate limits)
Flow rate results shown in	GPM or l/min (parameter defined in factory)
Pressure results shown in	PSI or bar (parameter defined in factory)
Power supply	9V Battery (6LR61)
Bluetooth	Connection kit sold separately
USB	5m USB Cable sold separately
Software	Software for PC (Windows XP, Vista, Seven only) sold only with the USB or Bluetooth® kit.
Bluetooth version	2.0

Diameter	DN40 (1.5")	DN65 (2.5")	DN80(3")	DN100 (4")
Reference	29342	29383	29390	29396

Note : references without coupling, any type available, to be specified when placing the order.



Ref : 30287

Construction :

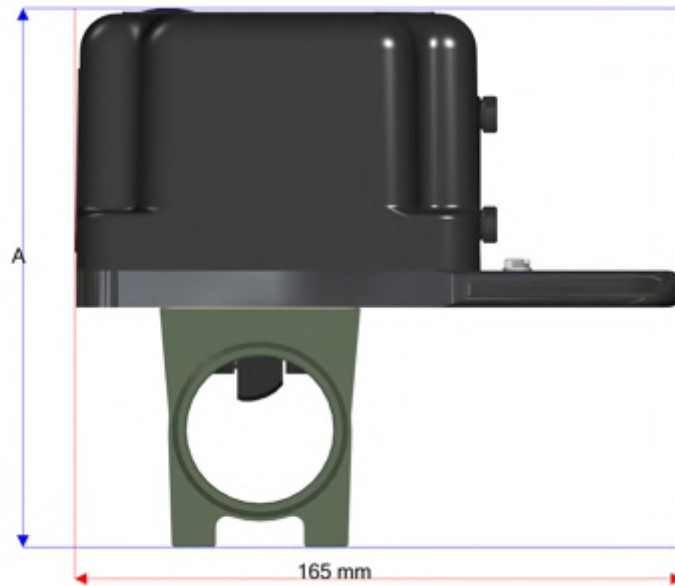
Stabilizing legs in technical plastic
Holding system in aluminium
Axis and screws in stainless steel

Security : Automatic locking of the stabilizing legs by means of a ring

Note : This option is the same for all the models of flowmeter (DN40/65/80/100). It can't be removed easily.



Overall dimensions Flowmeter



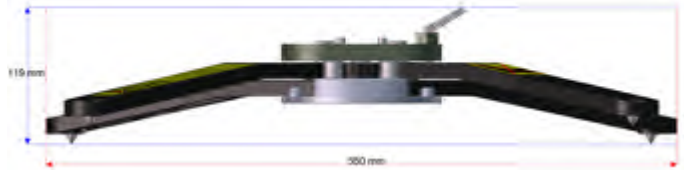
Diameter	A (mm)	B (mm)	Weight (kgs)
DN40	146	250	3
DN65	169	254	3.5
DN80	185	262	3.8
DN100	205	268	4.2

Note : dimension and weight without coupling or accessories

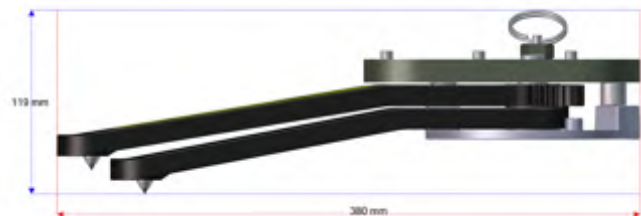


Overall dimensions Stand

• Unfold :



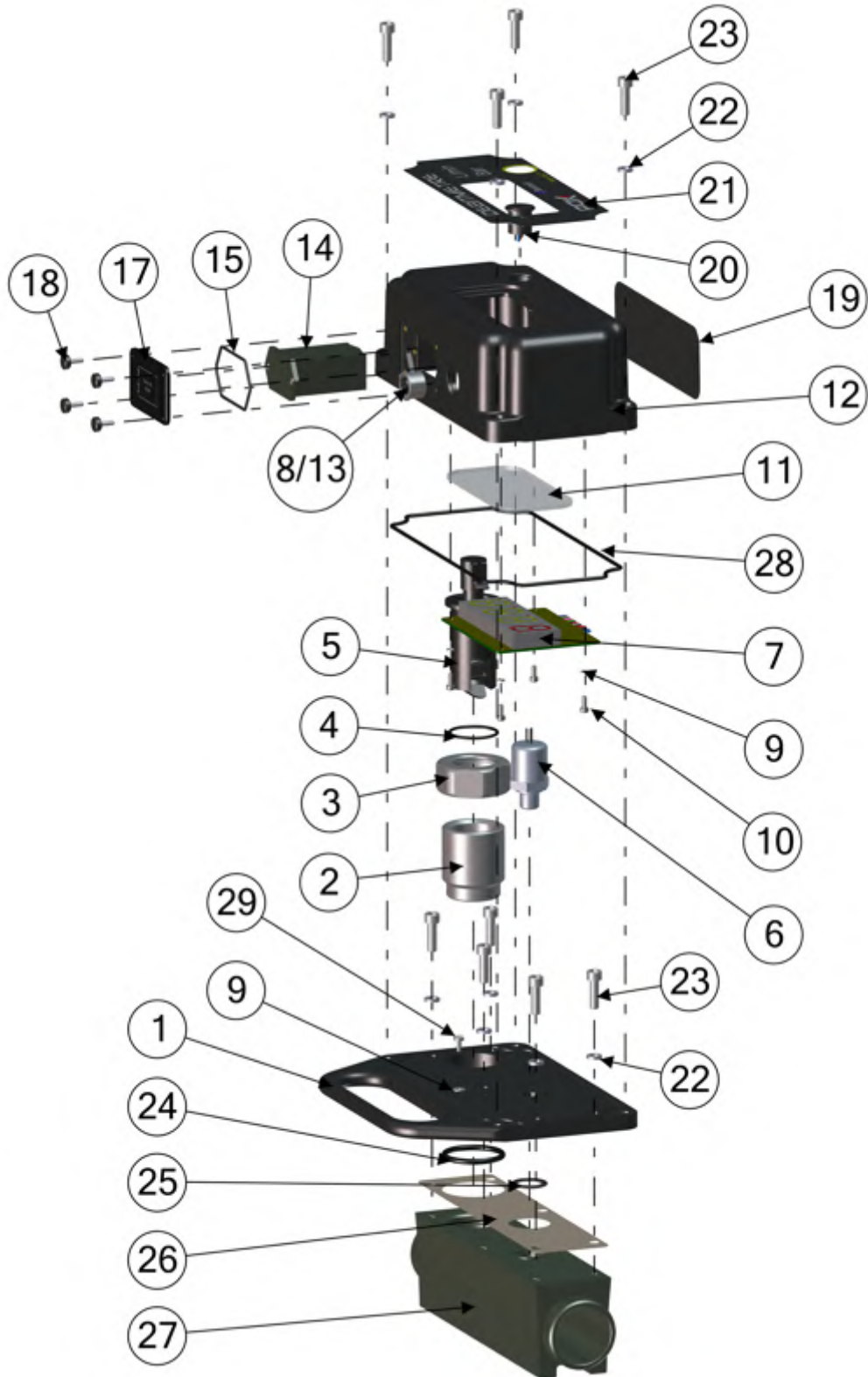
• Fold :



Weights : 2.36 Kgs



Exploded view Flowmeter

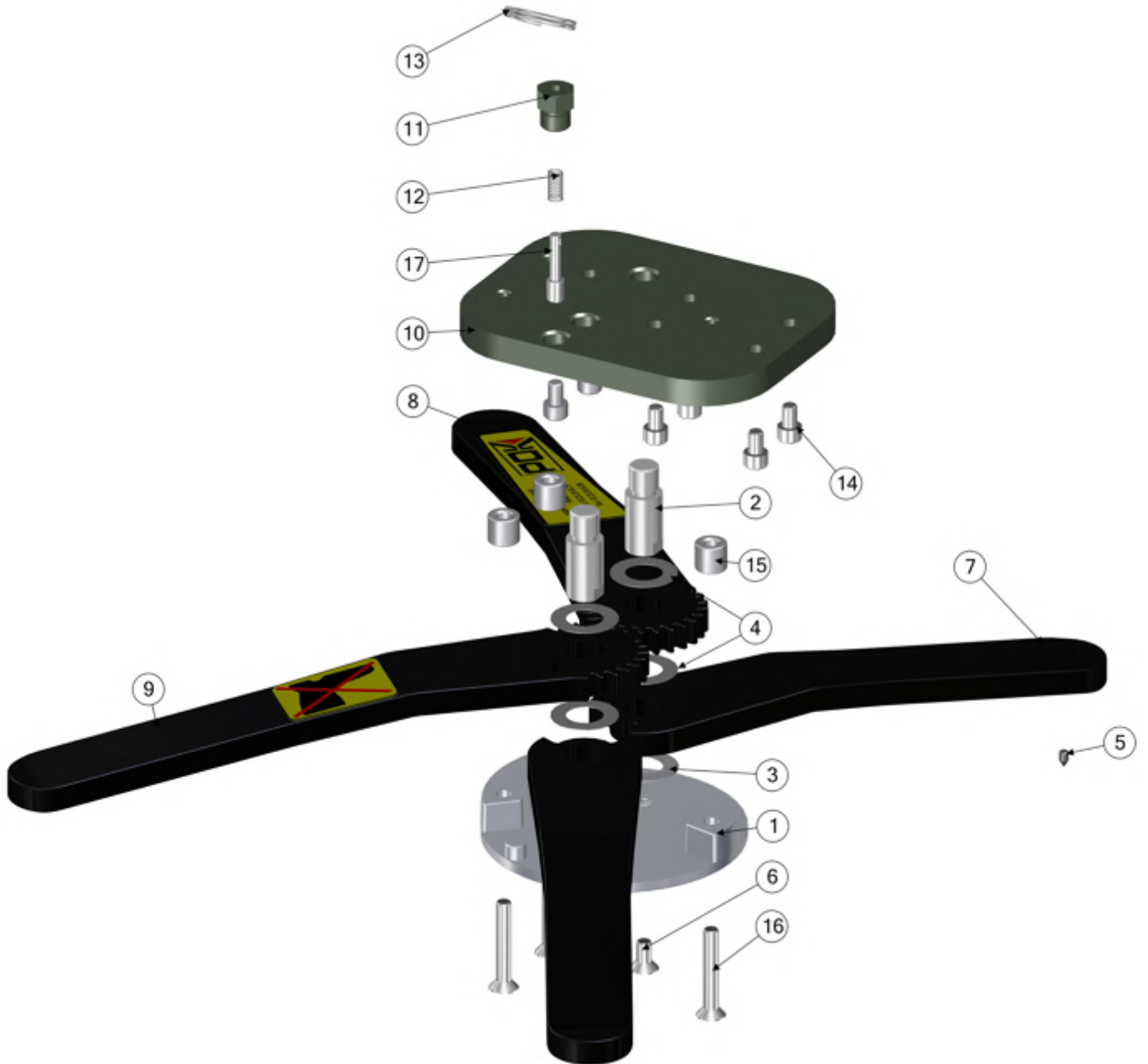




Bill of materials

Flowmeter

REP	QTY	DESCRIPTION	REF
1	1	Stand for electronic parts	29453
2	1	Stand for flow rate sensor	29339
3	1	Nut for flow rate sensor	229389
4	1	Gasket Ø30xØ2	16833
5	1	Flow rate sensor	26624
6	1	Pressure sensor	26631
7	1	Electronic card	29449
8	1	Waterproof cap	26537
9	4	Washer W3	RGW3
10	4	Screw CHC M8-30	VTCHC 8x30
11	1	Viewer	29336
12	1	Case	29382
13	1	4 pins female binder plug	26653
14	1	Case for 9V battery	38023
15	1	Gasket Ø48x2	26848
16	2	Screw FHC M3-10	FTFHC 3x10
17	1	Battery cap	29335
18	1	Screw M3-10	26634
19	1	Sticker "user manual"	
		--- French	30004
		--- English	30005
		--- German	30006
20	1	Push-button	26651
21	1	Sticker "case"	
		--- French	29497
		--- English	29498
		--- German	30007
22	4	Washer W6	RGW6
23	4	Screw CHC M6-20	VTCHC 6x20
24	1	Gasket R26	8226
25	1	Gasket R13	8213
26	1	Cut gasket ep.03	29901
27	1	Stand	
		--- DN40	29347
		--- DN65	29388
		--- DN80	29395
		--- DN100	29401
28	1	Gasket Ø175x2,5	6245
29	1	Screw TBHC M3x8	VTBHC 3x8
-	2	Plug Mollex Male 2c	38043
-	2	Plug Mollex female 2c	38042
-	1	Cable for flow rate sensor	26625

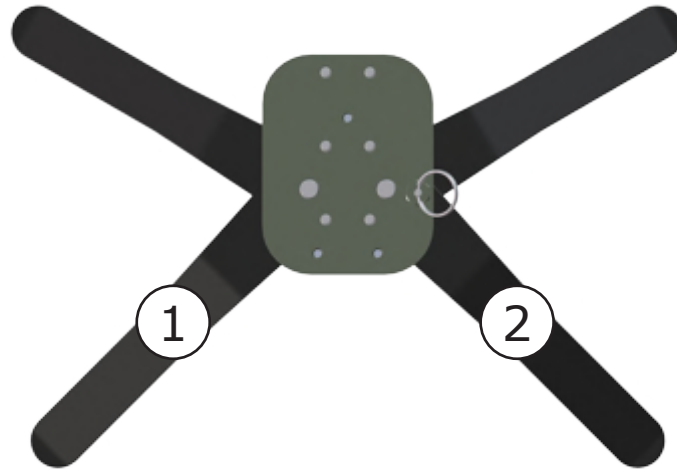




Bill of materials

Stand

REP	QTY	DESCRIPTION	REF
1	1	Stand	13735
2	2	Stabilizing leg axis	13736
3	2	Spring washer	16644
4	4	Wedge washer	10916
5	4	Tip	10868
6	2	Screw FHC M8-16	VTFHC 8x16
7	2	Back leg	13734
8	1	Front right leg	13732
9	1	Front left leg	13733
10	1	Stand	30290
11	1	Locking axis holder	10918
12	1	Spring for locking system	10919
13	1	Ring	2898
14	6	Screw CHC M8-12	VTCHC 8x12
15	3	Cylindrical wedge	30331
16	3	Screw FHC M8-50	VTFHC 8x50
17	1	Locking system axis	30332



1



Ref : 29118

2



Ref : 18102



Warning

Please respect the information given in this document. Ignoring this may give wrong results or even damage the device.

Do not dismantle the device, electric shock might occur.

The POK warranty no longer applies if the device is dismantled outside our factory.

Dismantling and/or modifying the device by unqualified personal may give wrong results and/or damage the device.

Only POK SA can repair the device and guarantee its optimal and safe operation.

The exploded view and the bill of materials given in this document are not instruction to assemble the pieces. They do exist only to make technical support easier.

Bluetooth® is a registered trademark by the Bluetooth SIG Consortium.

Please respect the safety rules relating to your environment/installation before using the device, it emits continually bluetooth waves when working, which may not be allowed in some places and/or conditions.

Bluetooth waves may in rare cases create interferences with other electronic devices.

The use of some electronic devices may be forbidden or restricted according to the places and/or conditions in which you are.

Keep away from an excessive heat.

POK SA can't be responsible of any damage due to a dismantling, a modification or a bad use of the apparatus.



● Introduction :

The POK flowmeter offers an accuracy of about 3% (for the flow rate) only in certain flow rates limits, these vary according to the diameter of the apparatus.

DN 40 (1.5") : 100 l/min to 1000 l/min (26GPM to 260 GPM)

DN 65 (2.5") : 300 l/min to 2500 l/min (80 GPM to 660 GPM)

DN 80 (3") : 500 l/min to 3000 l/min (130 GPM to 800 GPM)

DN 100 (4") : 1000 l/min to 5000 l/min (260GPM to 1350 GPM)

Results obtained outside this value may not be correct.

The maximum pressure of use is 16 bar (230 PSI), over this value the sensors may be damage.

The flowmeter is not waterproof. Gaskets are present in order to protect the electronic parts from water spatters.

Before exposing the device in an environment where there may be liquid projections, make sure the battery case and the cap on the binder plug are properly closed.

The flowmeter is supplied only with a 9V battery. If this battery can be recharged, it will have to be done outside the battery case.

Keep the device from a heat over 70°C (158°F), the electronic parts may not resist.

A user manual reminder is stuck on the device if needed.

● How to use the flowmeter :

The flowmeter is made of a screen which is able to indicate 4 characters, 2 lights (on the top left corner and on the bottom right corner of the screen) and a push-button (in a yellow circle).

Pushing the push-button "select" let the flowmeter operate, it will indicate the flow unit during 2 sec (GPM or LPM depending on your configuration), the flow rate will appear after.

Pushing one more time the push-button is allowing the pressure to be indicated (PSI or bar depending on your configuration).

The device will be turned off automatically after 15 sec.

Please notice that if you don't remember on which mode you are, a light on the screen, on the top left corner to indicate the pressure mode and on the bottom right corner to indicate the flow rate mode.

Changing the battery is easily made by removing the 4 screws (rep.18 on the flowmeter exploded view) on the device side and then by removing the cap. Extract the battery and change it before closing the case correctly.

Please do this in a dry place.

Note : Please make sure the couplings are correctly attached before putting the device under pressure.

• How to use the stand :

Some flowmeters may have a stand like the one shown in this document.

- **1** - Unfold the stabilizing legs by pulling one of them.
- **2** - Make sure the locking system locks the legs.
- **3** - Make sure that all the legs' tip are in contact with the floor, and that the flowmeter can't slip.

After using the device, the legs can be fold by pulling the ring on the locking system.

Note : Do not walk or put weight on the stabilizing legs, it would damage them.



Maintenance

• **Cleaning and tidying the device :**

In order to preserve the device, it is important to :

- Make sure the cap on the binder plug is correctly closed before cleaning/tidying it.
- Clean up with clear water after every use.
- Do not use high pressure jet.
- If salt or unclear water has been use, make the device working with clear water to remove corrosive parts.
- Do not use corrosive products, it might damaged the seals and/or the electronical parts.
- Do not tidy the device moist.
- Tidy the device in a dry place and away from rodents and/or pests.
- Do not tidy the device in a place with a high humidity rate in the air.

• **Spare parts :**

Please contact our sales service in order to be informed on tariffs and conditions for returns or to obtain spare parts.

Use the bill of materials in this document to identify the parts to change.